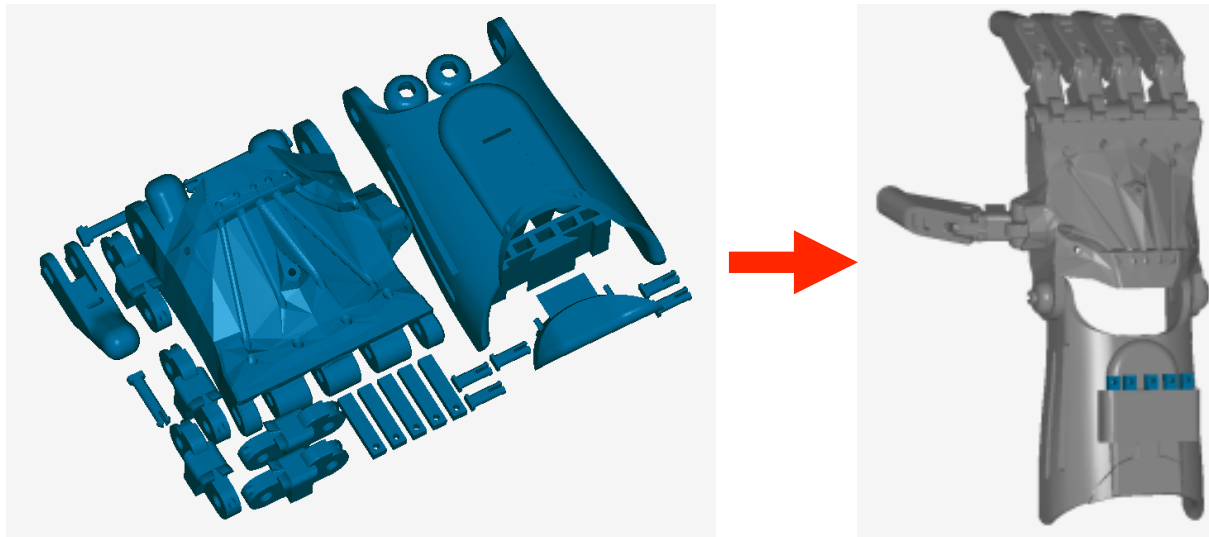


# RAPTOR

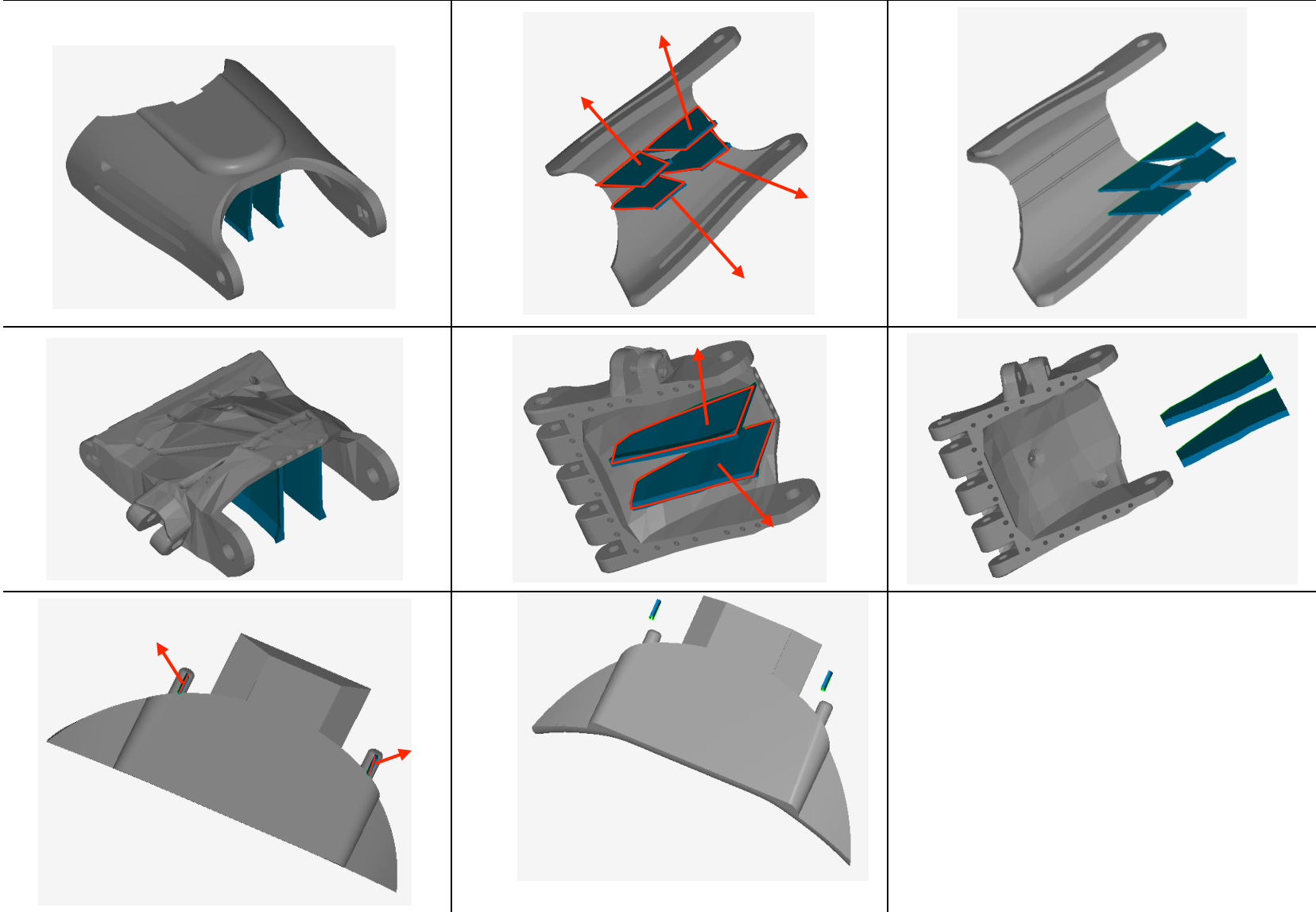


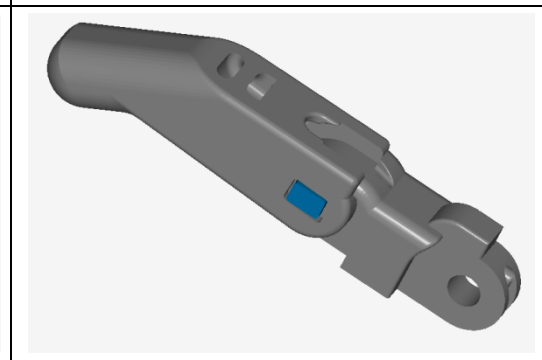
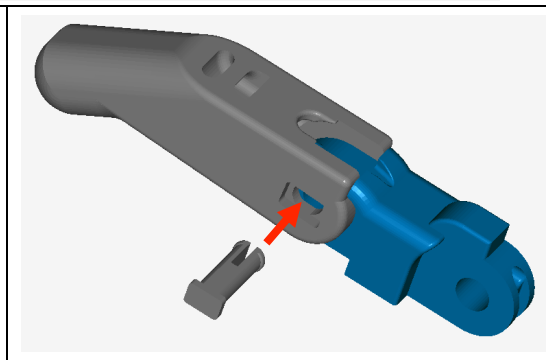
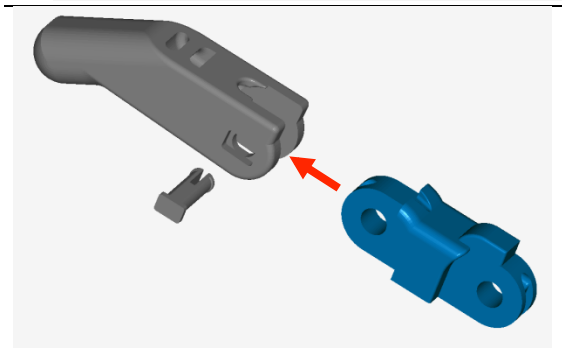
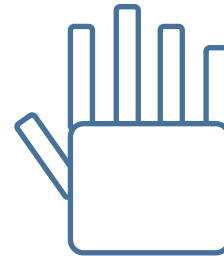
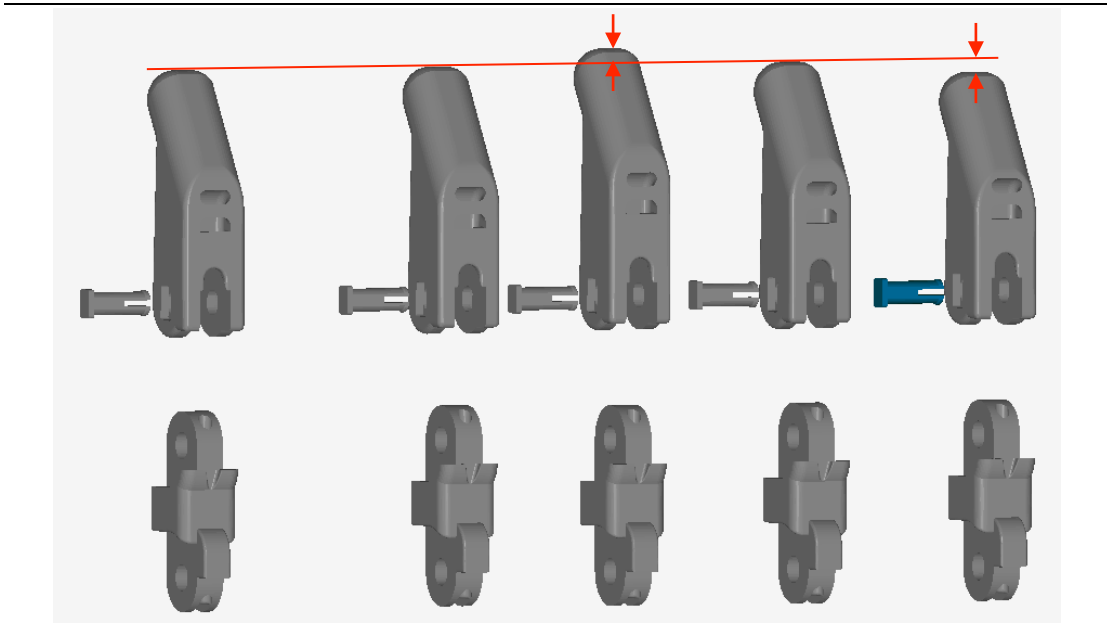
## Revision 2, 2014

First revision written by Michel Agronin of Direct Dimensions based on the video tutorial by Jeremy Simon and using print files by Peter Binkley, Ivan Owen, Frankie Flood, and Andreas Bastian, with contributions by many others. Second revision by Jeremy Simon

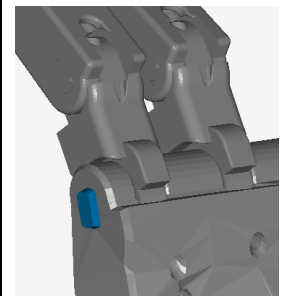
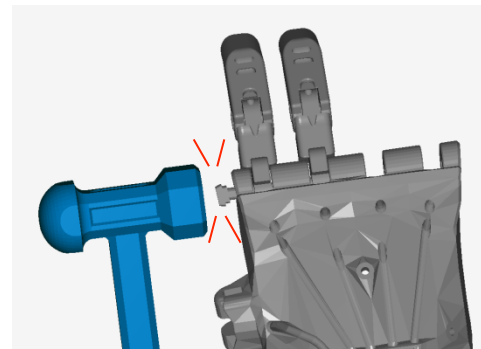
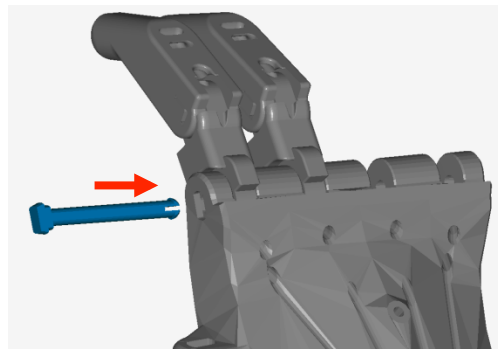
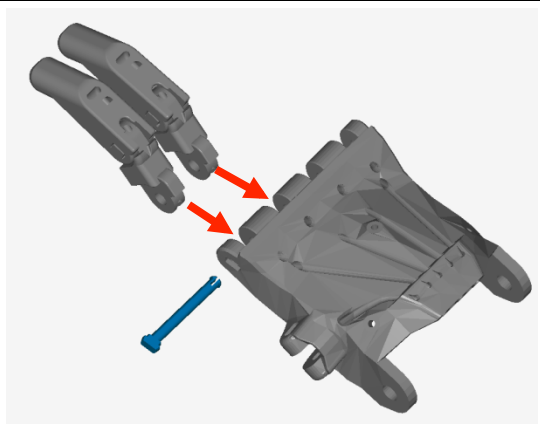
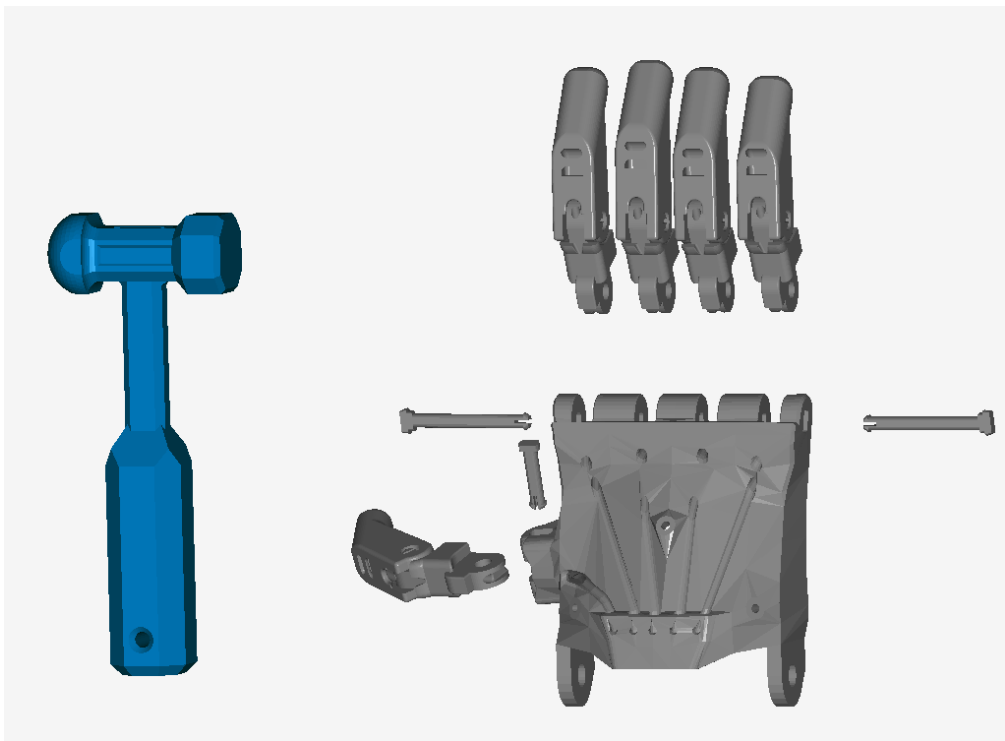


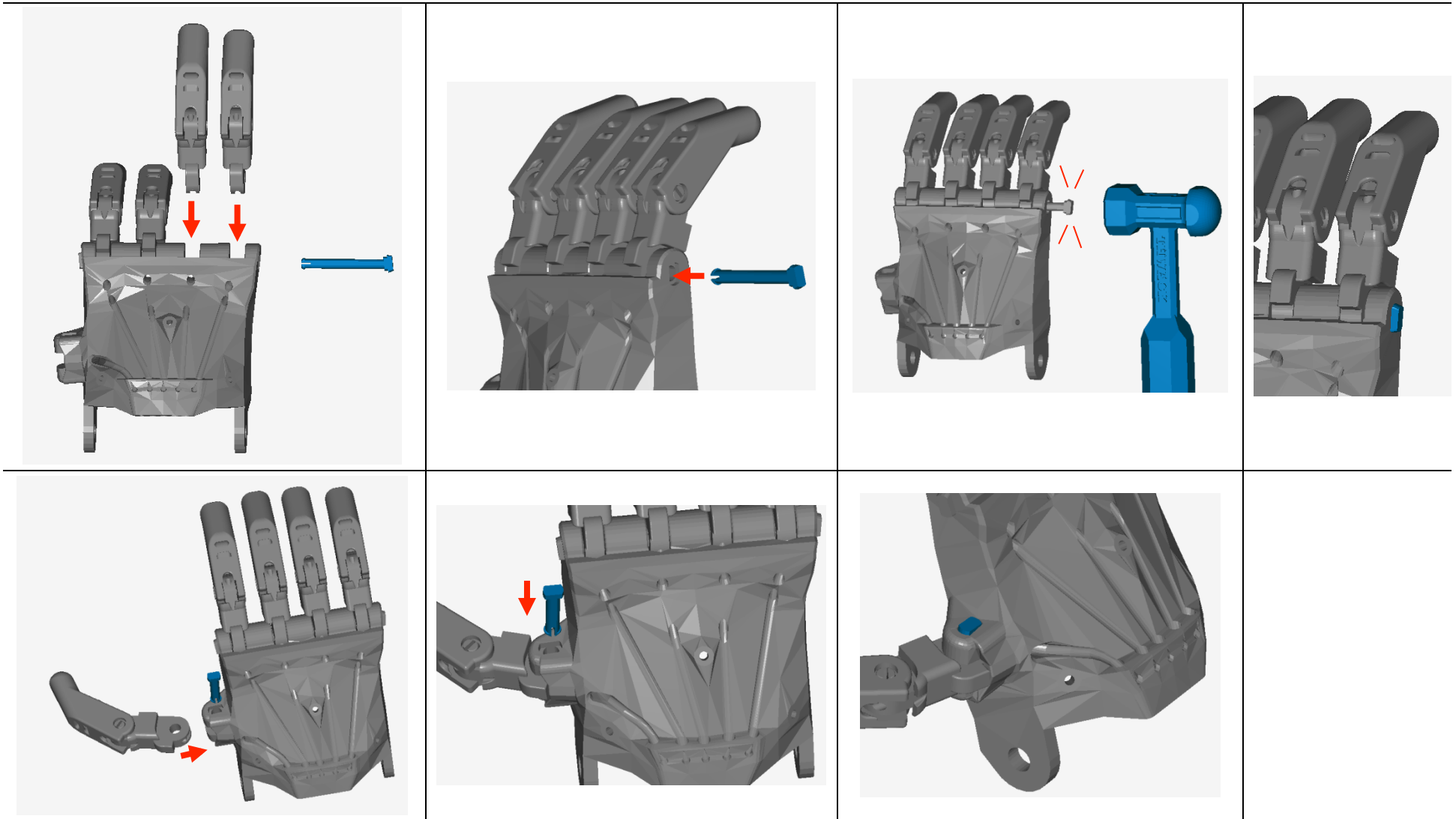
This work is licensed under the Creative Commons-Attribution-Share Alike License. To view a copy of the license, visit <http://creativecommons.org/licenses/by-sa/3.0/>  
Raptor Assembly Instructions v. 1.1

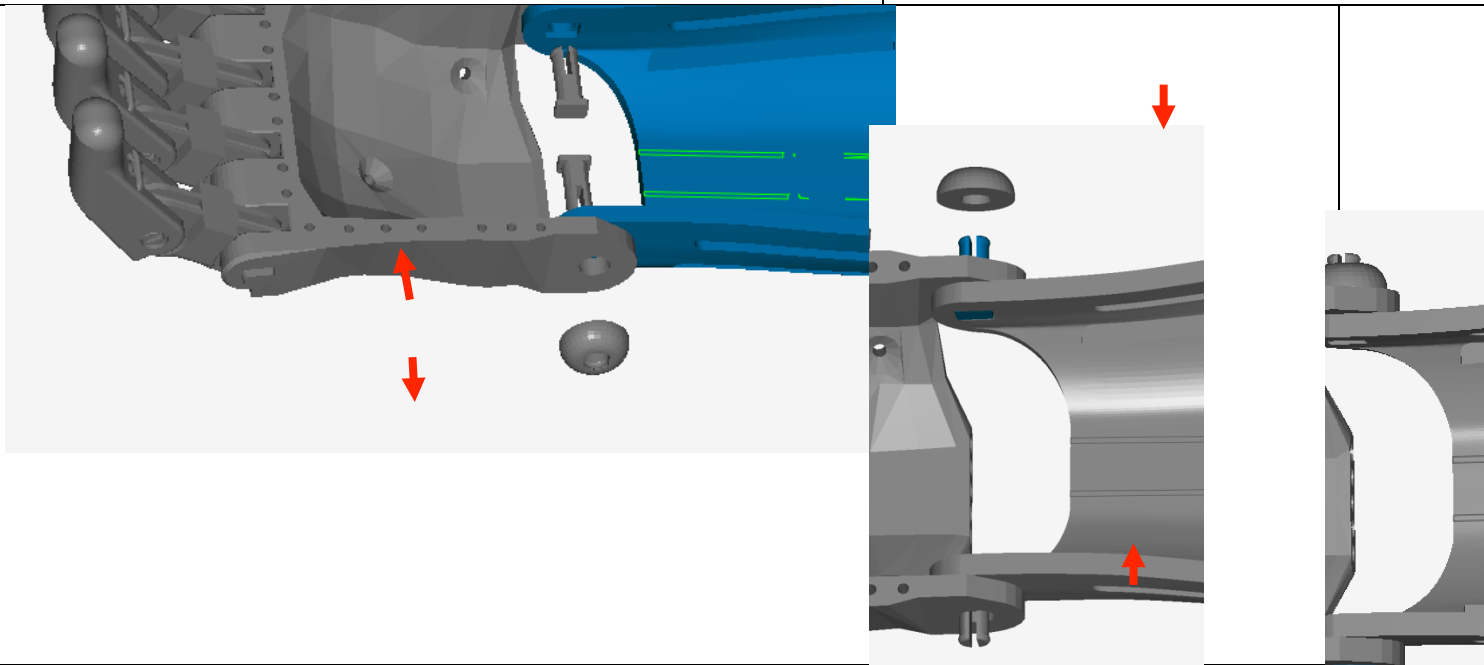
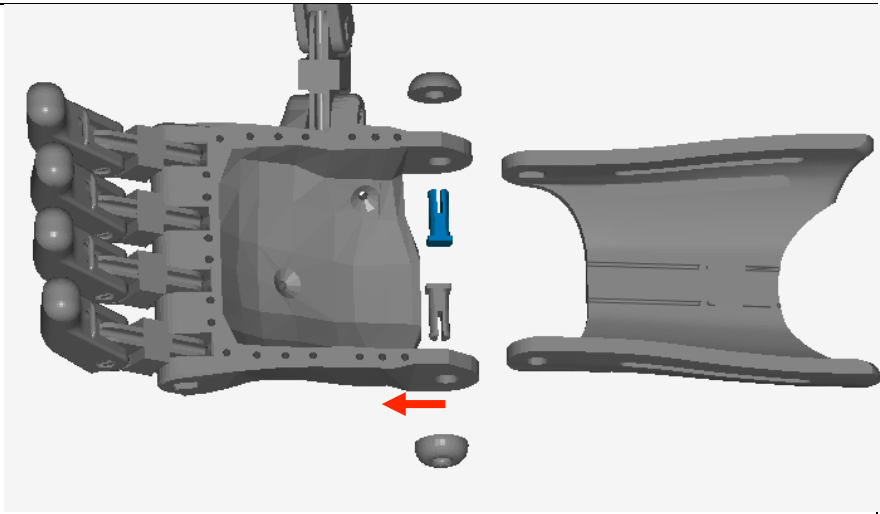


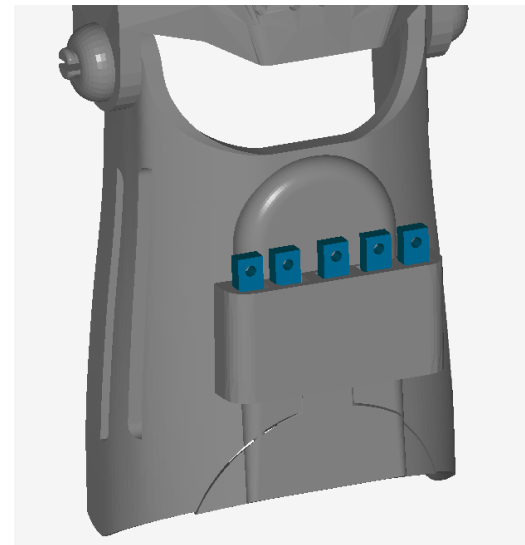
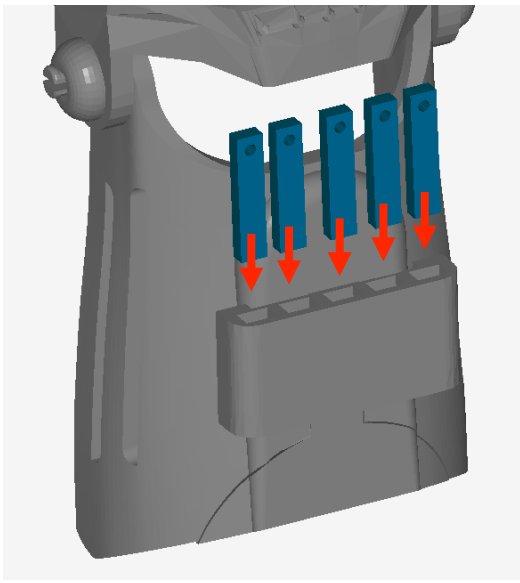
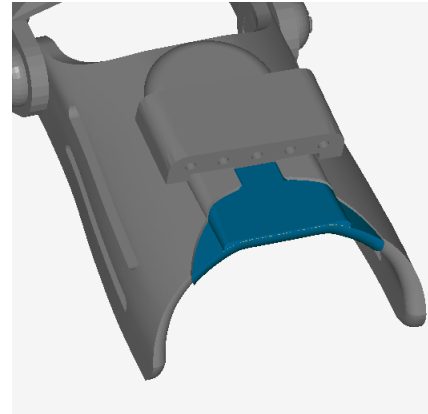
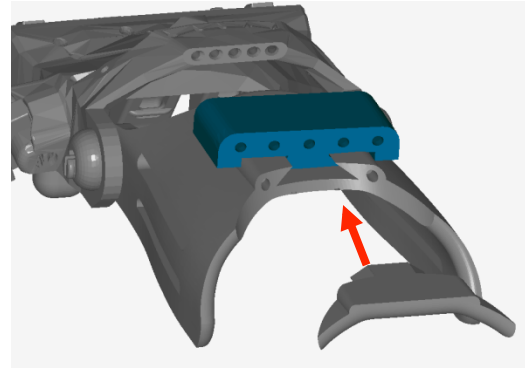
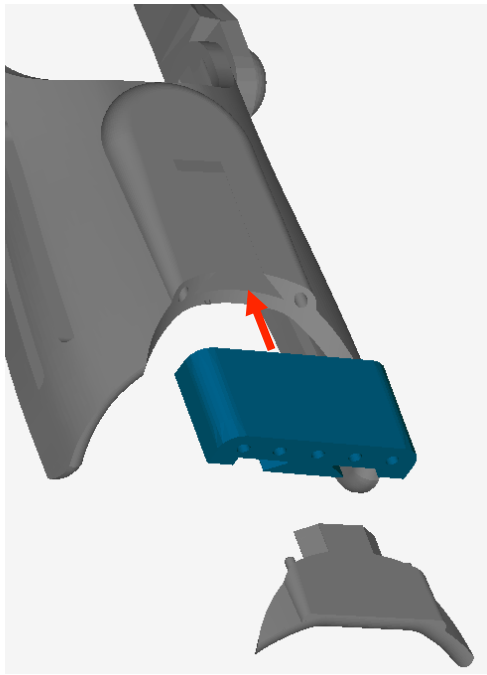


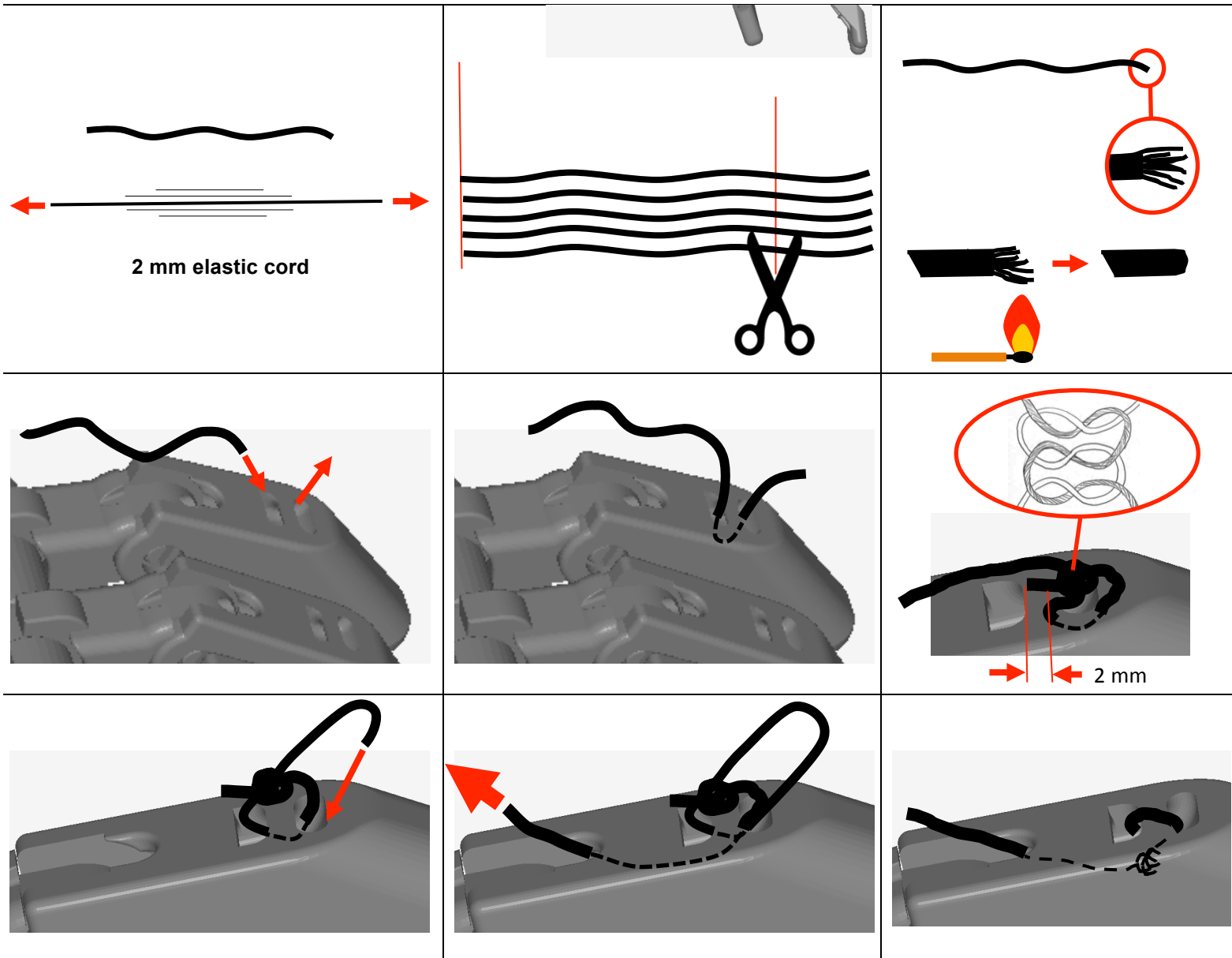
**X 5**









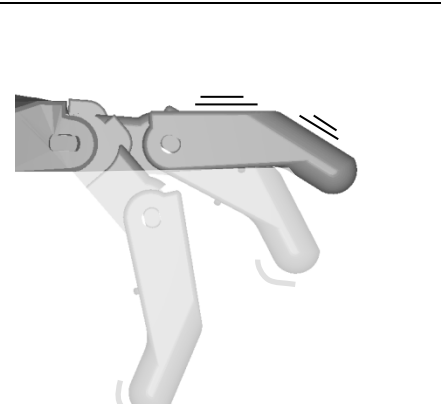
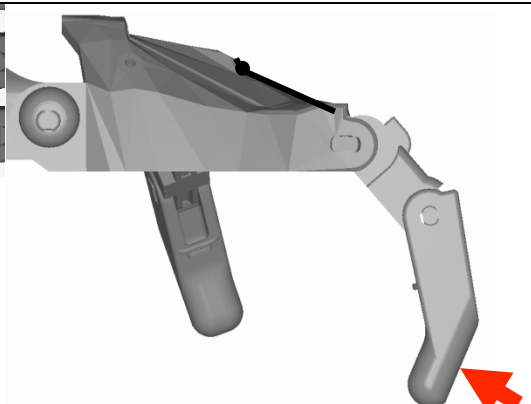
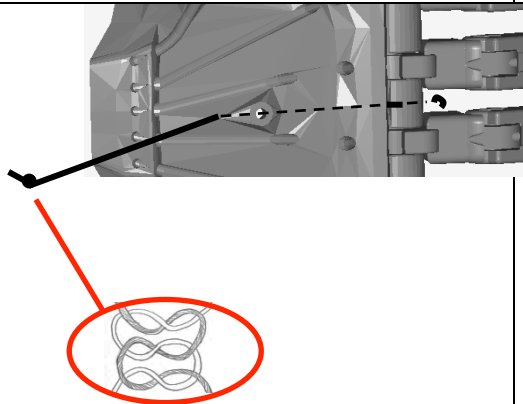
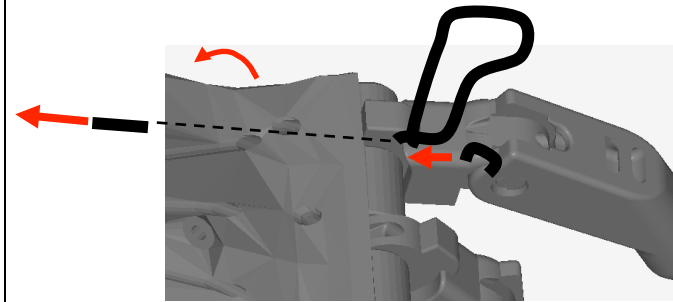
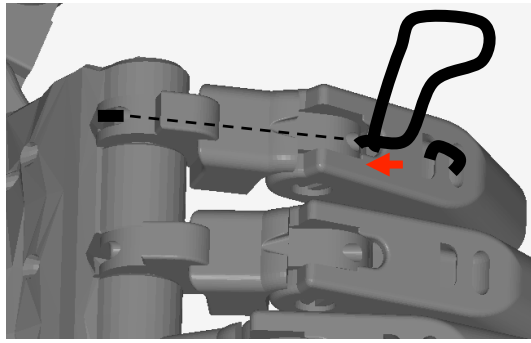
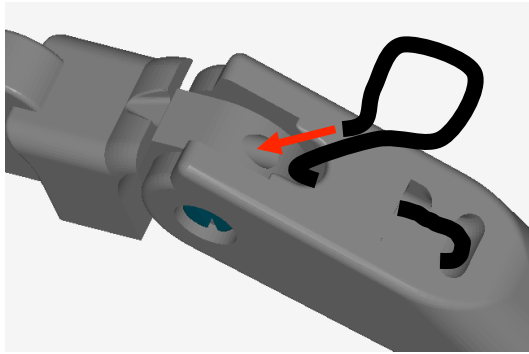


2 mm elastic cord

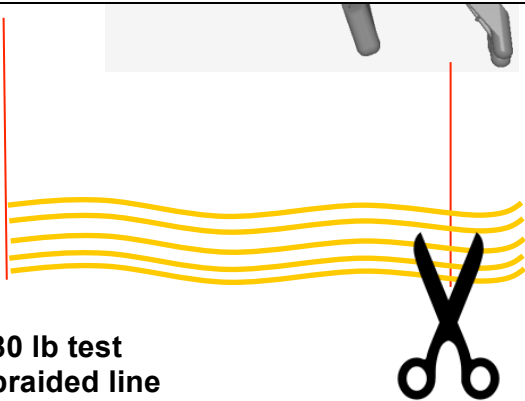
X 10

2 mm

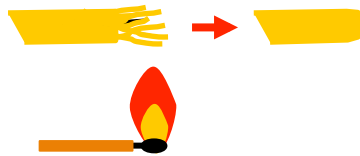




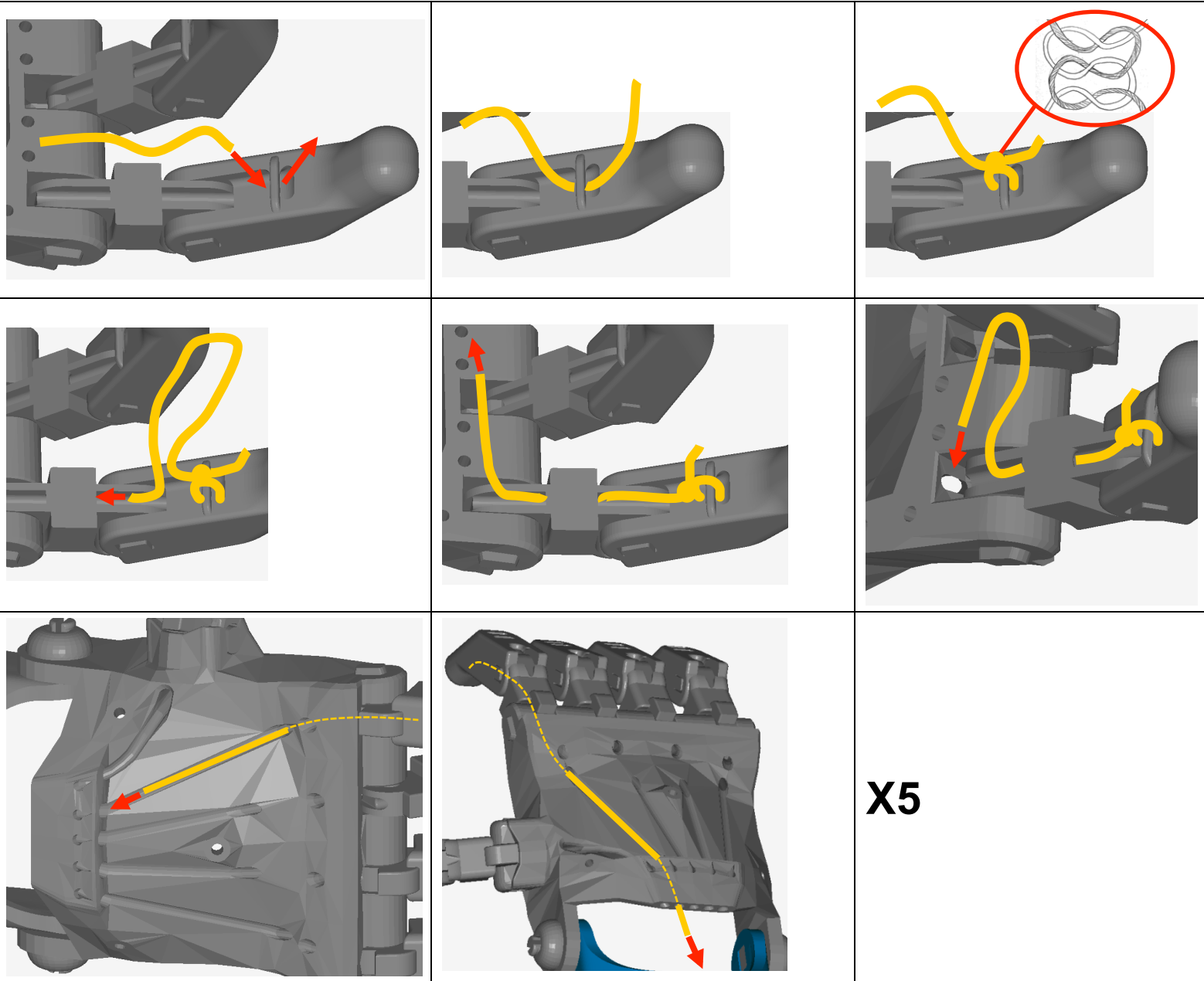
**X5**

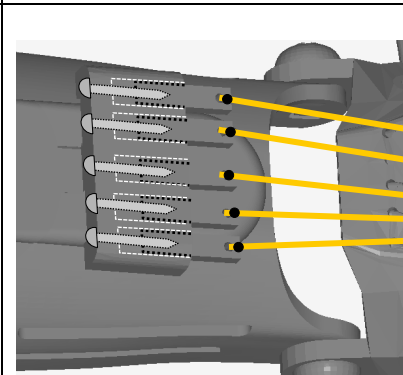
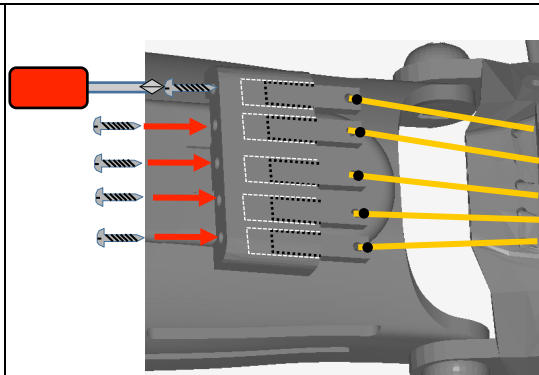
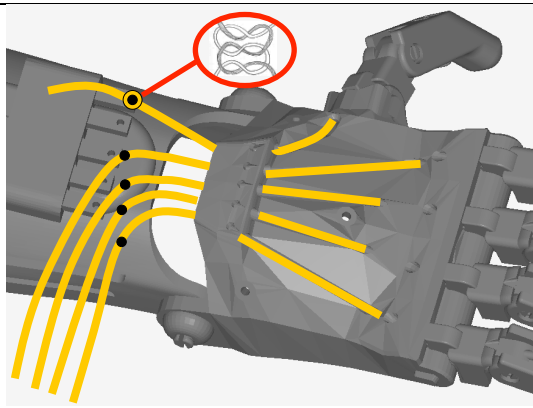
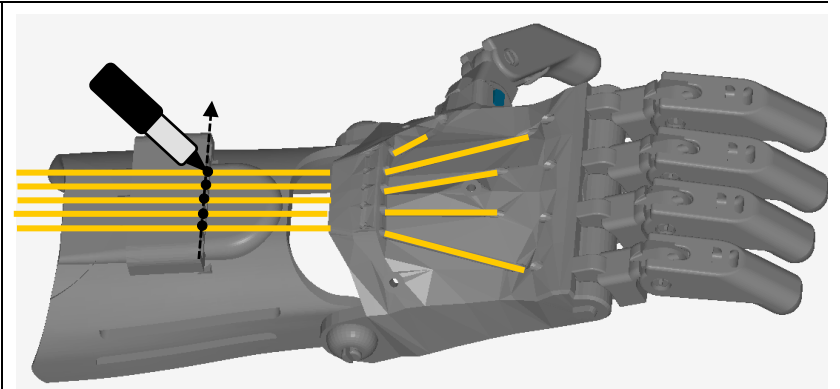
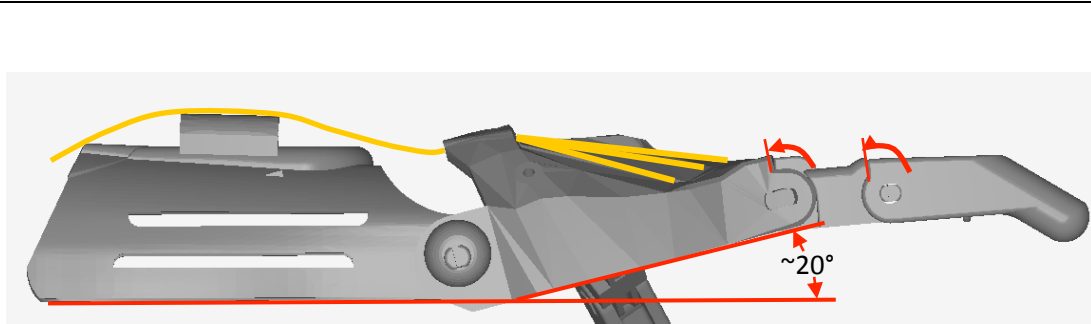



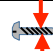

**80 lb test  
braided line**

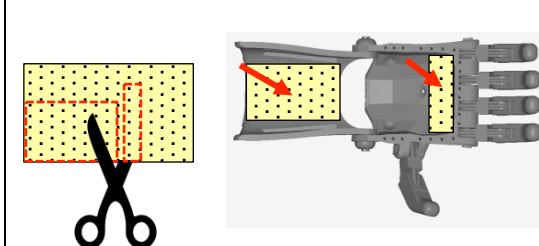
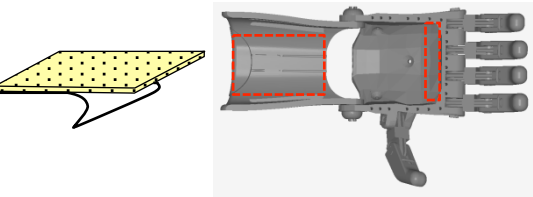


**X 10**

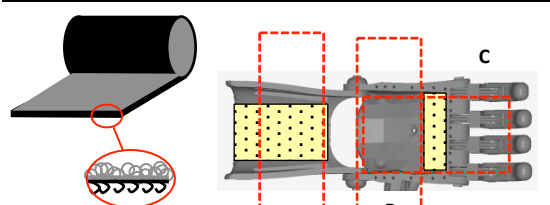
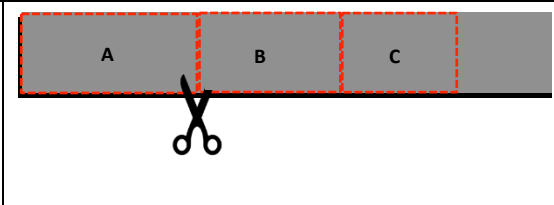
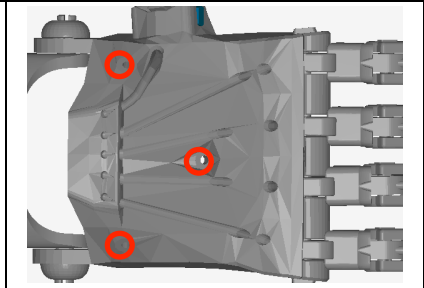
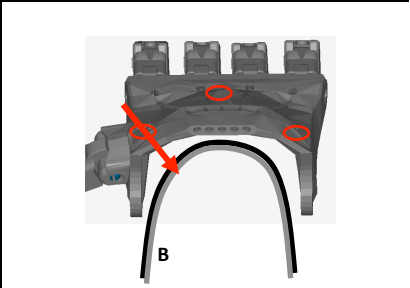
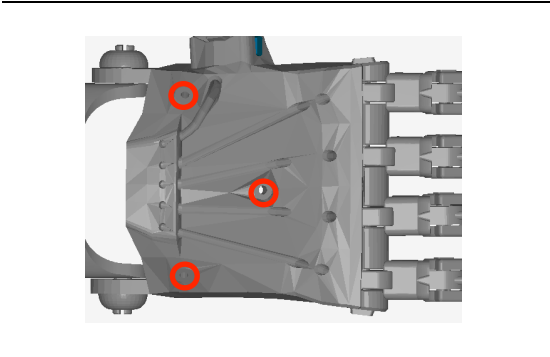
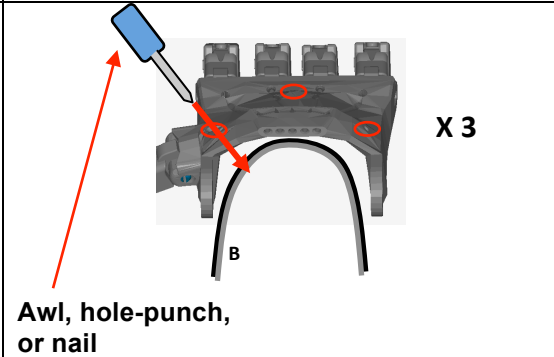
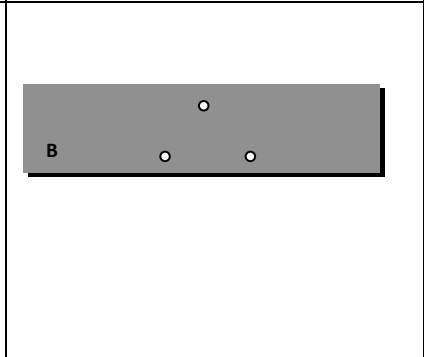
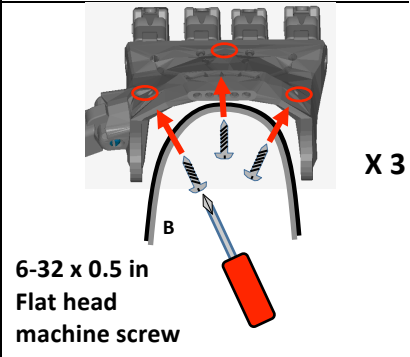




		
100%	#2	0.625 in.



5mm  
adhesive-backed  
Foam padding

 <p><b>2 in. wide double-sided Velcro</b></p>			
	 <p><b>X 3</b></p> <p><b>Awl, hole-punch, or nail</b></p>		 <p><b>X 3</b></p> <p><b>6-32 x 0.5 in Flat head machine screw</b></p>
